

The logo for SafeLOK, featuring the word "Safe" in a yellow sans-serif font and "LOK" in a white sans-serif font with a registered trademark symbol. A stylized yellow and white swoosh underline is positioned beneath the "LOK" text.

**SafeLOK®**

A photograph of a white safety helmet with a headlamp and a large orange and black pipe fitting. The fitting is shown in a close-up, angled view, resting on a dark, textured surface that appears to be soil or rock. The fitting has a black central hub and two orange, flared ends. The word "Philmac" is embossed on the side of the orange part. The background is dark and moody, with some light reflecting off the helmet and the fitting.

**The safest fitting  
on the planet.**

**Philmac Pty Ltd**

47-59 Deeds Road  
North Plympton  
South Australia  
AUSTRALIA 5037

Customer Service – Australia  
Telephone 1800 755 899  
Facsimile 1800 244 688

Customer Service – International  
Telephone +61 (8) 8300 9217

wim\_15835

## INTRODUCTION

Providing a safe workplace is the obligation of every employer, no matter the industry. There are fewer industries on the planet that are as demanding on pipelines as the mining industry, and this can make providing a safe environment so much harder.

Recognising the tough conditions in the mining industry, Philmac has developed and is proud to introduce a truly unique compression fitting for the connection of polyethylene pipes – Safelok®.

Made from a special formulation of polypropylene for unrivalled strength and performance, and with its distinct orange nuts for extra-high visibility, Safelok® truly is the safest compression fitting on the planet.




## BENEFITS

### Safety

#### • Air Line Safety:

Philmac strongly recommends that fittings should never be disconnected on a live air line. However in the event that work commences on an air line before the air supply is switched off, the use of Philmac Safelok fittings will ensure that a warning is given to the user that the line is live. The user can then switch off the air supply and continue working on the line in a safe manner.

When the nut is tightened on a Safelok fitting, not only is the end of the pipe secured, but it also fully compresses the o-ring and creates a seal. This means that if a user mistakenly works on a live air line and starts to loosen the nut on a Safelok fitting, there will be a loud release of air at the point when two threads are exposed. Importantly, the grip will still be retained on the pipe so the user can take action – re-tighten the nut and switch off the air supply – preventing an extremely dangerous situation from occurring.

• **Colour:** Safelok® fittings are supplied with orange coloured nuts. In the dark conditions that exist underground they stand out when light is shone on them reducing the chance of accidental collision and making identification and therefore maintenance easier.

• **Impact Resistance:** Safelok® fittings are made from a high grade of polypropylene to provide significant resistance to impact. In mining conditions risk of impact is always high so the fitting must be tough and durable to provide a long life. At the same time if in the unlikely circumstances that the material should fail due to impact, it will result in a ductile rather than a brittle failure. This means that there is no risk of injury through a fitting explosion when used in a compressed air application.

### Fast and easy installation

• **Slide & Tighten™:** No pipe preparation is needed and no force is required to push the pipe past the seal, so installation couldn't be faster or easier. Simply insert the pipe into the fitting until the first point of resistance is felt and then tighten the nut until it butts against the flange of the fitting body. This means that even making a 110mm joint with pipe hanging from the tunnel roof becomes a one man job.

### Complete security

• **Visual Stop:** The flange on the body of the Safelok® fitting provides a visual stop to indicate when the nut is fully tightened. This removes any uncertainty from the installation process.

• **No loose components:** Although dis-assembly of the fitting is not required for installation, if the nut is removed there is no danger of losing components as they are all retained within the nut. Losing components in the dark becomes a thing of the past.

• **Chemical Resistance:** Standard compression fittings are supplied with nitrile seals which fail when they come into contact with acids. Safelok® fittings are supplied with EPDM seals which means that the fittings can withstand a wide range of chemicals without having to switch components.

• **Designed to minimise pipe twist:** The fitting has been designed to minimise pipe twist as the nut is tightened. Maximum pipe twist is approximately three quarters of a turn compared to one and a half turns with many other fittings. Pipe twist can impact on not only the connection you have just made but also on the connection at the other end of the line.

### High performance

• **Made from advanced thermoplastic materials:** Safelok® is manufactured from lightweight, high performance thermoplastic materials with outstanding impact, chemical, corrosion and UV resistance.

• **Rated to 1600 kpa:** Safelok® fittings are pressure rated to 1600 kpa (PN16) across all sizes.

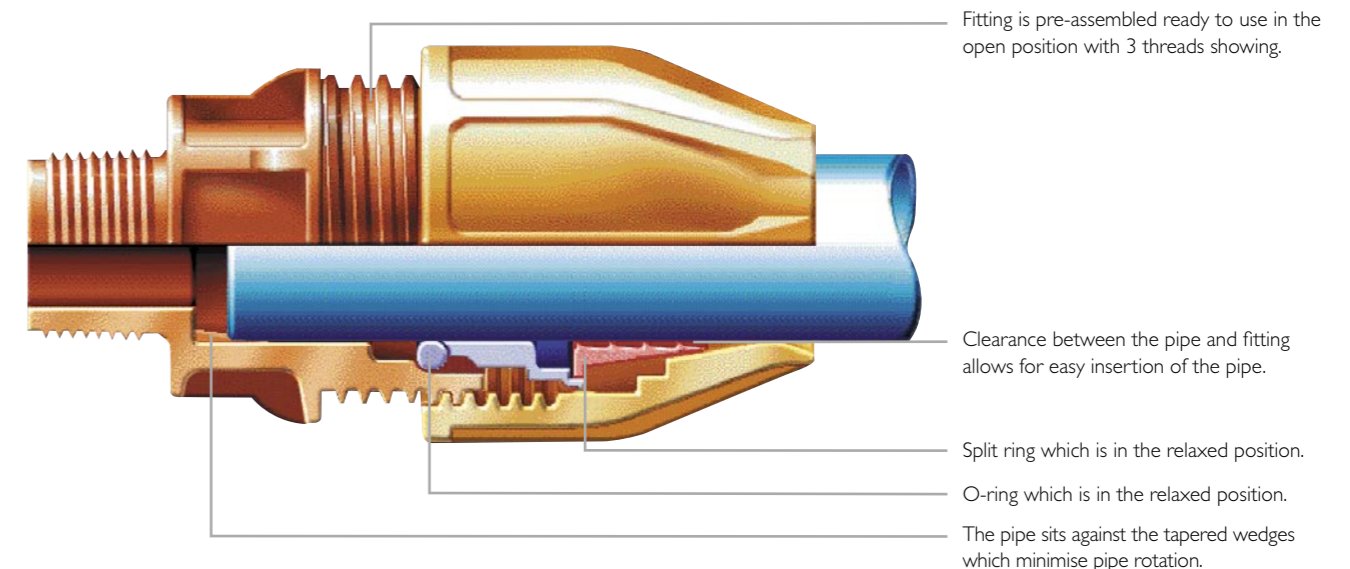
• **50 year+ design life:** Built to withstand the toughest conditions to ensure longevity and durability, Safelok® fittings have a 50 year+ design life.

### Complete coverage

• **Full range:** The Safelok® range is comprehensive; straight and reducing couplers, tees, elbows, threaded connectors, end caps, flange adaptors and shouldered adaptors ranging from 63mm to 110mm.

## HOW IT WORKS

### FULLY OPEN



### FULLY CLOSED

