

Marley Typhoon Half-Round Gutter

- Gives roof lines a designer edge



TYPHOON

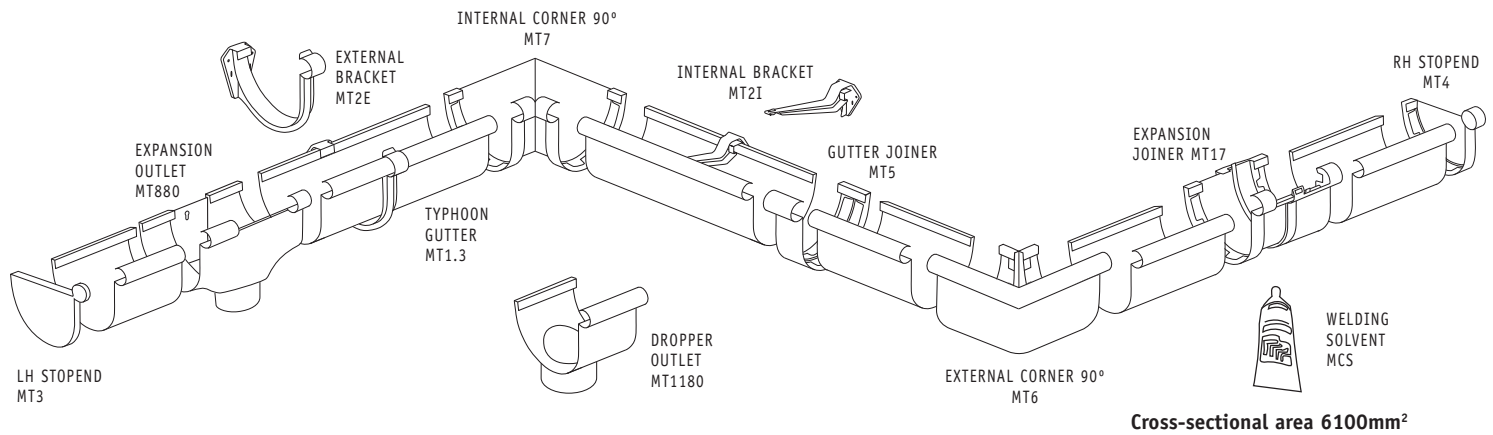
The new Marley Typhoon half-round gutter system has a large capacity, delivering an excellent rate of water flow. Its contemporary design offers a choice of either internal brackets (for a clean finish) or external brackets (for a unique look and ease of cleaning).

Philmac[®]

The connection you can trust.



Marley Typhoon solvent assembly gutter system



Cross-sectional area 6100mm²

Marley Typhoon

Marley Typhoon half-round gutter is a new addition to the range of Marley PVC gutter systems. Suitable for new and existing homes.

A Choice of Styles

The Marley Typhoon profile has a high front, this helps hide untidy rooflines and provides a very neat end result. Marley Typhoon also has an internal and external bracketing option. Choose internal bracketing if you require a smooth, clean finish that is easy to paint. External bracketing gives the gutter a completely different look. The visible brackets become a design feature. External brackets also make the inside of the gutter easier to clean.

Easy-Flow Design

Marley Typhoon half-round gutter provides a large water capacity of 6100mm². This delivers a better rate of water flow, which enables it to cope better with sudden downpours, as well as decreasing the likelihood of leaf and sediment build-up. This is of particular benefit if the gutter is being used to collect rainwater for household use.

Tough and Long-Lasting

Marley Typhoon gutter is manufactured from uPVC. It is an extremely tough and long-lasting material that will not rust, requires little maintenance and is UV resistant.

All Marley Typhoon components come with a 20-year guarantee.

Easy to Install

The Marley Typhoon half-round gutter system is a solvent-jointed system that requires no special tools. It is compatible with most downpipes and rain harvesting systems and comes with a complete range of fittings including a dropper concept for use when a rainhead is not suitable.

Product	Component	Code
	MARLEY TYPHOON GUTTER 4x2.9m & 4x5m Lengths	MT13 MT15
	INTERNAL BRACKET	MT2I
	EXTERNAL BRACKET	MT2E
	LH GUTTER STOPEND	MT3
	RH GUTTER STOPEND	MT4
	GUTTER JOINER	MT5
	EXPANSION JOINER	MT17
	EXTERNAL CORNER 90°	MT6
	INTERNAL CORNER 90°	MT7
	EXPANSION OUTLET 80mm	MT880
	DROPPER OUTLET 80mm	MT1180

DISCLAIMER

This technical catalogue has been compiled by Marley New Zealand Limited ("The Company") to promote better understanding of the technical aspects of the Company's products to assist users in obtaining from them the best possible performance.

The technical catalogue is supplied subject to acknowledgment of the following conditions: The technical catalogue is protected by Copyright and may not be copied or reproduced in any form or by any means in whole or in part without prior consent in writing by the Company.

Product specifications, usage data and advisory information may change from time to time with advances in research and field experience. The Company reserves the right to make such changes at any time without notice.

Correct usage of the Company's products involve engineering judgements which cannot be properly made without full knowledge of all the conditions pertaining to each specific installation. The Company expressly disclaims all and any liability to any person whether supplied with this publication or not in

respect of anything and of the consequences of anything done or omitted to be done by any such person in reliance whether whole or partial upon the whole or any part of the contents of this publication.

No offer to trade, nor any conditions of trading, are expressed or implied by the issue or content of this manual.

Nothing herein shall override the Company's Conditions of Sale, which may be obtained from the Registered Office or any Sales Office of the Company.

This technical catalogue is and shall remain the property of the Company, and shall be surrendered on demand to the Company.